

Апматы (7273)495-231  
 Ангарск (3955)60-70-56  
 Архангельск (8182)63-90-72  
 Астрахань (8512)99-46-04  
 Барнаул (3852)73-04-60  
 Белгород (4722)40-23-64  
 Благовещенск (4162)22-76-07  
 Брянск (4832)59-03-52  
 Владивосток (423)249-28-31  
 Владикавказ (8672)28-90-48  
 Владимир (4922)49-43-18  
 Волгоград (844)278-03-48  
 Вологда (8172)26-41-59  
 Воронеж (473)204-51-73  
 Екатеринбург (343)384-55-89

Иваново (4932)77-34-06  
 Ижевск (3412)26-03-58  
 Иркутск (395)279-98-46  
 Казань (843)206-01-48  
 Калининград (4012)72-03-81  
 Калуга (4842)92-23-67  
 Кемерово (3842)65-04-62  
 Киров (8332)68-02-04  
 Коломна (4966)23-41-49  
 Кострома (4942)77-07-48  
 Краснодар (861)203-40-90  
 Красноярск (391)204-63-61  
 Курск (4712)77-13-04  
 Курган (3522)50-90-47  
 Липецк (4742)52-20-81

Магнитогорск (3519)55-03-13  
 Москва (495)268-04-70  
 Мурманск (8152)59-64-93  
 Набережные Челны (8552)20-53-41  
 Нижний Новгород (831)429-08-12  
 Новокузнецк (3843)20-46-81  
 Ноябрьск (3496)41-32-12  
 Новосибирск (383)227-86-73  
 Омск (3812)21-46-40  
 Орел (4862)44-53-42  
 Оренбург (3532)37-68-04  
 Пенза (8412)22-31-16  
 Петрозаводск (8142)55-98-37  
 Псков (8112)59-10-37  
 Пермь (342)205-81-47

Ростов-на-Дону (863)308-18-15  
 Рязань (4912)46-61-64  
 Самара (846)206-03-16  
 Санкт-Петербург (812)309-46-40  
 Саратов (845)249-38-78  
 Севастополь (8692)22-31-93  
 Саранск (8342)22-96-24  
 Симферополь (3652)67-13-56  
 Смоленск (4812)29-41-54  
 Сочи (862)225-72-31  
 Ставрополь (8652)20-65-13  
 Сургут (3462)77-98-35  
 Сыктывкар (8212)25-95-17  
 Тамбов (4752)50-40-97  
 Тверь (4822)63-31-35

Тольятти (8482)63-91-07  
 Томск (3822)98-41-53  
 Тула (4872)33-79-87  
 Тюмень (3452)66-21-18  
 Ульяновск (8422)24-23-59  
 Улан-Удэ (3012)59-97-51  
 Уфа (347)229-48-12  
 Хабаровск (4212)92-98-04  
 Чебоксары (8352)28-53-07  
 Челябинск (351)202-03-61  
 Череповец (8202)49-02-64  
 Чита (3022)38-34-83  
 Якутск (4112)23-90-97  
 Ярославль (4852)69-52-93

Россия +7(495)268-04-70

Казахстан +7(7172)727-132

Киргизия +996(312)96-26-47

<https://laswim.nt-rt.ru/> || [aiv@nt-rt.ru](mailto:aiv@nt-rt.ru)

## Filtration unit

### Filtration Unit

Filtration unit



Filtration unit is one of the best choices for swimming pool. It is in good appearance, easy to operate and long time use. Different models could be chosen according to different size of swimming pools and actual demand.

### WL-DMT parameter

Model	Horsepower (HP)	Voltage (V)	Flow Rate (M <sup>3</sup> /H)	Filter area (M <sup>2</sup> /h)	pool volume (M <sup>3</sup> )	Outline size (MM)
WL-DMT-8	0.75	220~240	8	0.16	≤64	1320X1340X985
WL-DMT-12	1		12	0.23	≤92	
WL-DMT-16	1.5		16	0.32	≤128	
WL-DMT-20	2.0		20	0.4	≤160	1550X1560X1135
WL-DMT-25			25	0.5	≤200	

### WL-DMT Specification

Model	Main parts
WL-DMT-8	BCG450 sand filter + 0.75HP pump + chemical feeder
WL-DMT-12	BCG500 sand filter + 1HP pump + chemical feeder
WL-DMT-16	BCG650 sand filter + 1.5HP pump + chemical feeder
WL-DMT-20	BCG700 sand filter + 2HP pump + chemical feeder
WL-DMT-25	BCG800 sand filter + 2HP pump + chemical feeder

## WL-MMT parameter

Model	Horsepower (HP)	Voltage (V)	Flow Rate (M <sup>3</sup> /H)	Filter area (M <sup>2</sup> /h)	pool volume (M <sup>3</sup> )	Outline size (MM)
WL-MMT-8	0.75	220~240	8	0.16	≤64	1320X1340X985
WL-MMT-12	1		12	0.23	≤92	
WL-MMT-16	1.5		16	0.32	≤128	
WL-MMT-20	2.0		20	0.4	≤160	1550X1560X1135
WL-MMT-25			25	0.5	≤200	

## WL-MMT Specification

Model	Main parts
WL-MMT-8	BCG450 sand filter + HLLF075M circulation pump + HLLF300M Massage pump + submersible pump + EC8 salt-chlorine generator
WL-MMT-12	BCG500 sand filter + HLLF100M circulation pump + HLLF300M Massage pump + submersible pump + EC12 salt-chlorine generator
WL-MMT-16	BCG650 sand filter + HLLF150M circulation pump + HLLF300M Massage pump + submersible pump + EC16 salt-chlorine generator
WL-MMT-20	BBCG700 sand filter + HLLF200M circulation pump + HLLF300M Massage pump + submersible pump + SQ30 salt-chlorine generator
WL-MMT-25	BCG800 sand filter + HLLF200M circulation pump + HLLF300M Massage pump + submersible pump + SQ40 salt-chlorine generator

## WL-GMT parameter

Model	Horsepower (HP)	Voltage (V)	Flow Rate (M <sup>3</sup> /H)	Filter area (M <sup>2</sup> /h)	pool volume (M <sup>3</sup> )	Outline size (MM)
WL-GMT-8	1.5	220~240	8	0.16	≤64	1320X1340X985
WL-GMT-12			12	0.23	≤92	
WL-GMT-16			16	0.32	≤128	
WL-GMT-20	2.0		20	0.4	≤160	1550X1560X1135
WL-GMT-25			25	0.5	≤200	

## WL-GMT Specification

Model	Main parts
WL-GMT-8	BCG450 sand filter + PSH/1.5HP Circulation pump + PSH/3HP massage pump + EC8 salt-chlorine generator + 28W UV Sterilizer + submersible pump
WL-GMT-12	BCG500 sand filter + PSH/1.5HP Circulation pump + PSH/3HP massage pump + EC12 salt-chlorine generator + 28W UV Sterilizer + submersible pump
WL-GMT-16	BCG650 sand filter + PSH/1.5HP Circulation pump + PSH/3HP massage pump + EC16 salt-chlorine generator + 28W UV Sterilizer + submersible pump
WL-GMT-20	BCG700 sand filter + PSH/2HP Circulation pump + PSH/3HP massage pump + SQ30 salt-chlorine generator + 28W UV Sterilizer + submersible pump
WL-GMT-25	BCG800 sand filter + PSH/2HP Circulation pump + PSH/3HP massage pump + SQ40 salt-chlorine generator + 28W UV Sterilizer + submersible pump

## Wall-hung filtration unit (WL-GYT10Y)

Wall-hung filtration unit

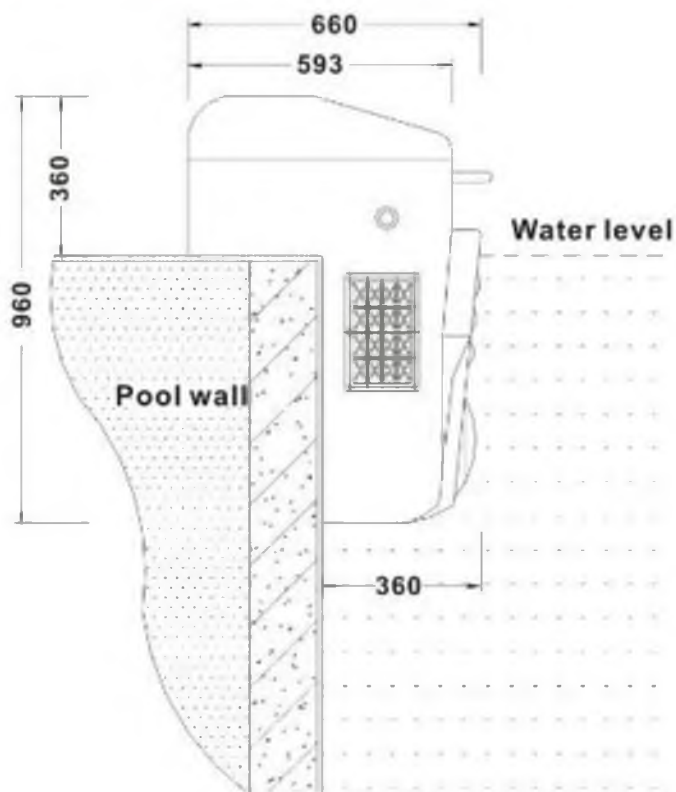


The housing is made of high quality acryl, the unit is easy for installation and assembling all the equipment of filtration, circulation, disinfections, drainage and lighting in one compact unit.

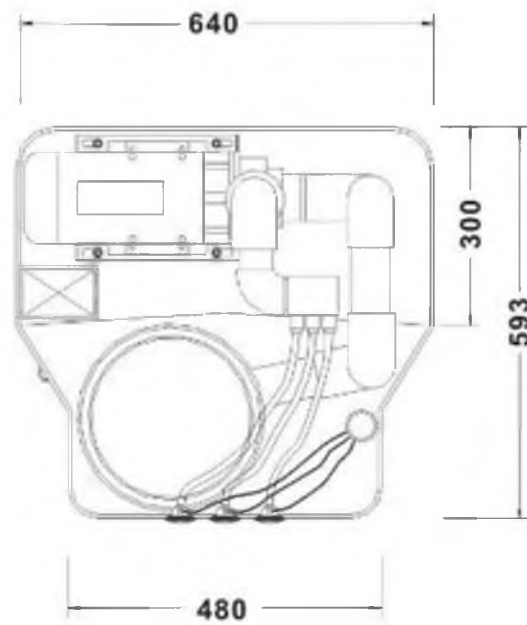
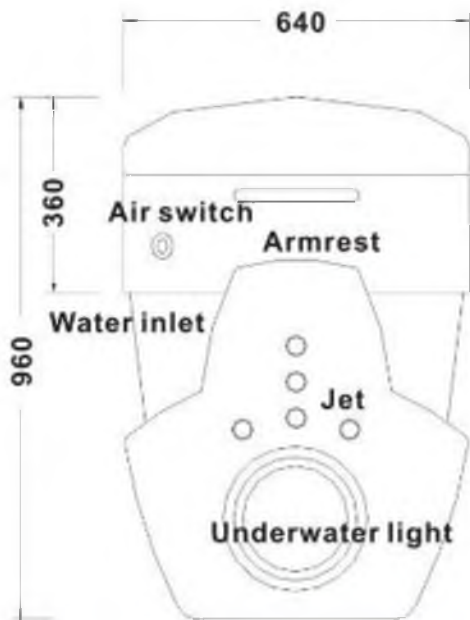
It is also equipped with multifunctional jets which not only make the pool water circulate, but also have the function of swimming training, massage and fun in water. Extra fit for children pools!

Flow rate: 10-13m<sup>3</sup>/h

Pump(HP)	Voltage(V)	Flow Rate	Filter Precision	Filter Area	Noises	Outline Size
1.2HP	220V	10~13m <sup>3</sup> /h	≤5μ	0.26m <sup>2</sup>	≤40dB	640×660×960mm



Installation figure



## Wall-hung Filtration Unit (WL-AYT25Y)

Wall-hung filtration unit

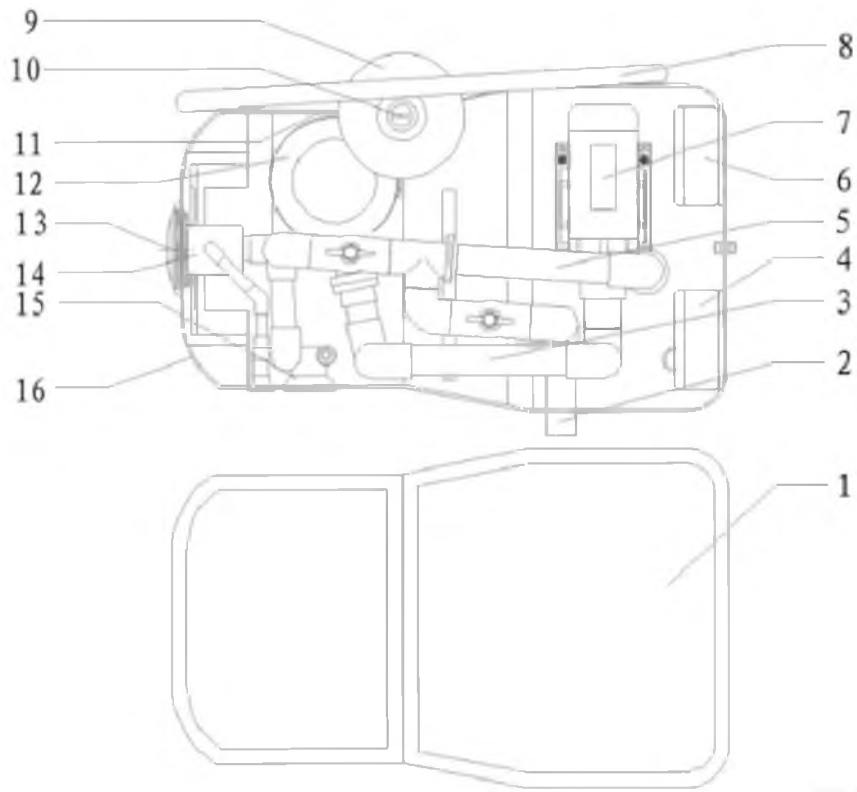


The housing is made of high quality acryl, the unit is easy to install and contains all the equipment for filtration, circulation, disinfection, drainage and lighting in one compact unit.

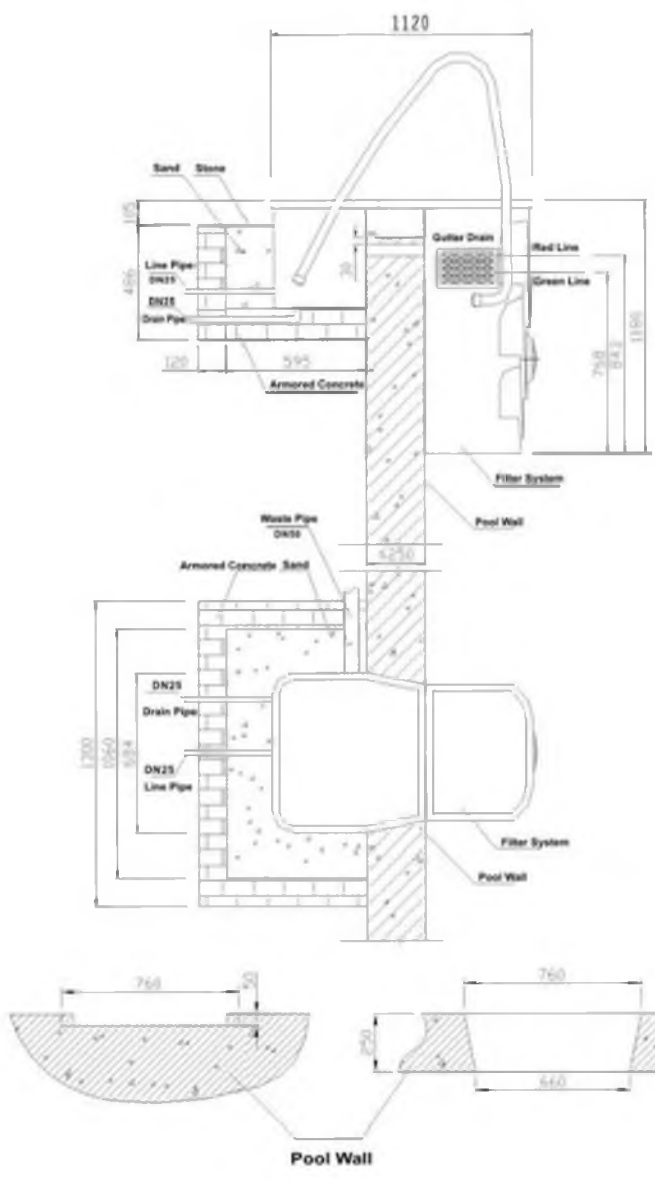
It is also equipped with multifunctional jets which not only make the pool water circulate, but also have the function of swimming training, massage and fun in water.

Flow rate: 25m<sup>3</sup>/h

Pump(HP)	Voltage(V)	Flow Rate	Filter Precision	Filter Area	Noises	Outline Size
2.0HP	220V	25m <sup>3</sup> /h	≤5 μ	0.297m <sup>2</sup>	≤40dB	1120×684×1080mm



- 1) Cover
- 2) Drain Pipe
- 3) Water Inlets
- 4) Ozone Generator
- 5) Water Outlets
- 6) Junction Box
- 7) Pump
- 8) Stainless Steel Armrest
- 9) Vacuum System
- 10) Vacuum Point
- 11) Inlet
- 12) Filter
- 13) Underwater Light
- 14) Swim Jet
- 15) Air and Water Hydro Jet Assembly
- 16) Housing





## Wall-hung Filtration Unit (PM-GL25Y)

Wall-hung filtration unit



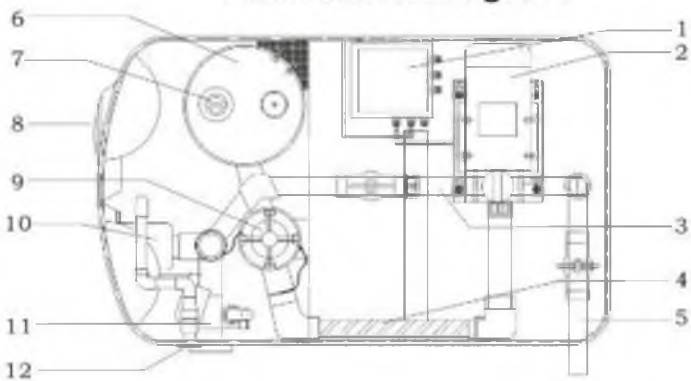
The housing is made of high quality acryl, the unit is easy to install and contains all the equipment for filtration, circulation, disinfection, drainage and lighting in one compact unit.

It is also equipped with multifunctional jets which not only make the pool water circulate, but also have the function of swimming training, massage and fun in water.

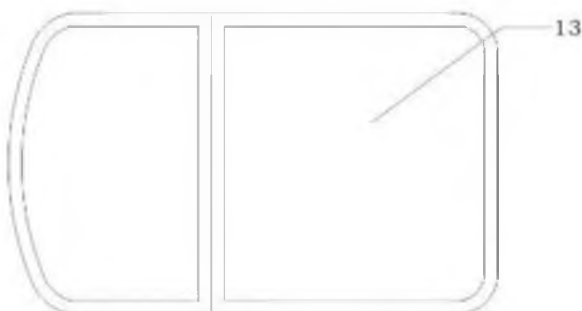
Flow rate: 22m<sup>3</sup>/h

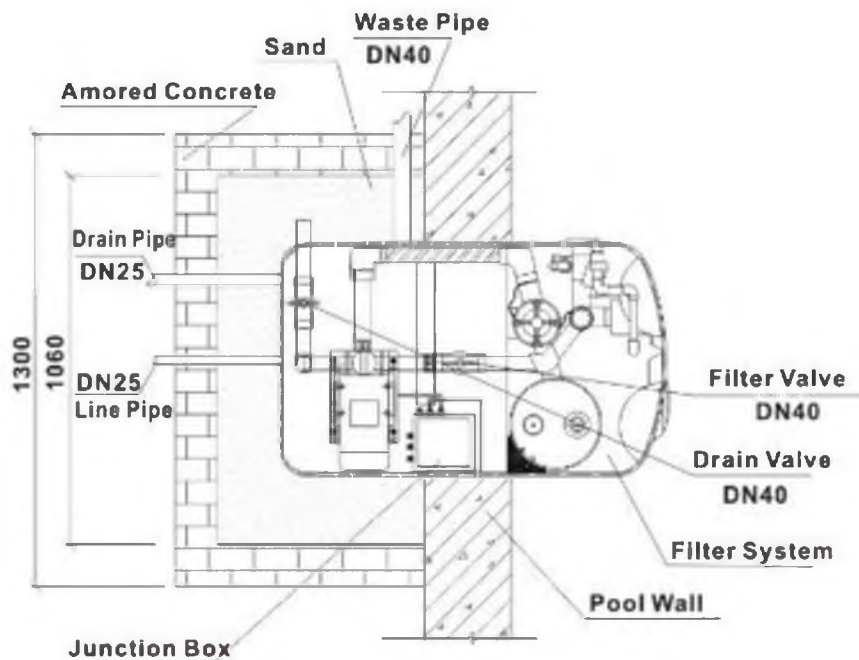
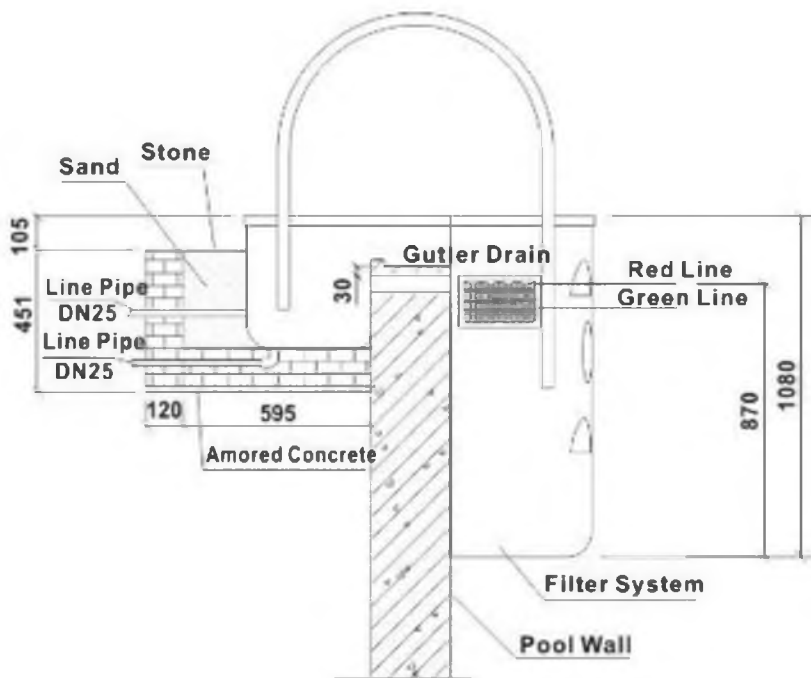
Pump(HP)	Flow Rate	Filter Precision	Filter Area	Noises	Outline Size
2.0HP	22m <sup>3</sup> /h	≤5μ	0.297m <sup>2</sup>	≤50dB	1725×1112×684mm

### Fabrication Diagram



- 1) Junction Box
- 2) Pump
- 3) Water Inlets
- 4) Water Outlets
- 5) Drain Pipe
- 6) Filter
- 7) Vacuum Piont
- 8) Underwater Light
- 9) Chemical Feeder
- 10) Swim Jet
- 11) Air and Water Hydro Jet Assembly
- 12) Air Inlet





Алматы (7273)495-231  
 Ангарск (3955)60-70-56  
 Архангельск (8182)63-90-72  
 Астрахань (8512)99-46-04  
 Барнаул (3852)73-04-60  
 Белгород (4722)40-23-64  
 Благовещенск (4162)22-76-07  
 Брянск (4832)59-03-52  
 Владивосток (423)249-28-31  
 Владикавказ (8672)28-90-48  
 Владимир (4922)49-43-18  
 Волгоград (844)278-03-48  
 Вологда (8172)26-41-59  
 Воронеж (473)204-51-73  
 Екатеринбург (343)384-55-89

Иваново (4932)77-34-06  
 Ижевск (3412)26-03-58  
 Иркутск (395)279-98-46  
 Казань (843)206-01-48  
 Калининград (4012)72-03-81  
 Калуга (4842)92-23-67  
 Кемерово (3842)65-04-62  
 Киров (8332)68-02-04  
 Кополна (4966)23-41-49  
 Кострома (4942)77-07-48  
 Краснодар (861)203-40-90  
 Красноярск (391)204-63-61  
 Курск (4712)77-13-04  
 Курган (3522)50-90-47  
 Липецк (4742)52-20-81

Магнитогорск (3519)55-03-13  
 Москва (495)268-04-70  
 Мурманск (8152)59-64-93  
 Набережные Челны (8552)20-53-41  
 Нижний Новгород (831)429-08-12  
 Новокузнецк (3843)20-46-81  
 Ноябрьск (3496)41-32-12  
 Новосибирск (383)227-86-73  
 Омск (3812)21-46-40  
 Орел (4862)44-53-42  
 Оренбург (3532)37-68-04  
 Пенза (8412)22-31-16  
 Петрозаводск (8142)55-98-37  
 Псков (8112)59-10-37  
 Пермь (342)205-81-47

Ростов-на-Дону (863)308-18-15  
 Рязань (4912)46-61-64  
 Самара (846)206-03-16  
 Санкт-Петербург (812)309-46-40  
 Саратов (845)249-38-78  
 Севастополь (8692)22-31-93  
 Саранск (8342)22-96-24  
 Симферополь (3652)67-13-56  
 Смоленск (4812)29-41-54  
 Сочи (862)225-72-31  
 Ставрополь (8652)20-65-13  
 Сургут (3462)77-98-35  
 Сыктывкар (8212)25-95-17  
 Тамбов (4752)50-40-97  
 Тверь (4822)63-31-35

Тольятти (8482)63-91-07  
 Томск (3822)98-41-53  
 Тула (4872)33-79-87  
 Тюмень (3452)66-21-18  
 Ульяновск (8422)24-23-59  
 Улан-Удэ (3012)59-97-51  
 Уфа (347)229-48-12  
 Хабаровск (4212)92-98-04  
 Чебоксары (8352)28-53-07  
 Челябинск (351)202-03-61  
 Череповец (8202)49-02-64  
 Чита (3022)38-34-83  
 Якутск (4112)23-90-97  
 Ярославль (4852)69-52-93

Россия +7(495)268-04-70

Казахстан +7(7172)727-132

Киргизия +996(312)96-26-47

<https://laswim.nt-rt.ru/> || [aiw@nt-rt.ru](mailto:aiw@nt-rt.ru)