

Алматы (7273)495-231
Ангарск (3955)60-70-56
Архангельск (8182)63-90-72
Астрахань (8512)99-46-04
Барнаул (3852)73-04-60
Белгород (4722)40-23-64
Благовещенск (4162)22-76-07
Брянск (4832)59-03-52
Владивосток (423)249-28-31
Владикавказ (8672)28-90-48
Владимир (4922)49-43-18
Волгоград (844)278-03-48
Вологда (8172)26-41-59
Воронеж (473)204-51-73
Екатеринбург (343)384-55-89

Иваново (4932)77-34-06
Ижевск (3412)26-03-58
Иркутск (395)279-98-46
Казань (843)206-01-48
Калининград (4012)72-03-81
Калуга (4842)92-23-67
Кемерово (3842)65-04-62
Киров (8332)68-02-04
Коломна (4966)23-41-49
Кострома (4942)77-07-48
Краснодар (861)203-40-90
Красноярск (391)204-63-61
Курск (4712)77-13-04
Курган (3522)50-90-47
Липецк (4742)52-20-81

Магнитогорск (3519)55-03-13
Москва (495)268-04-70
Мурманск (8152)59-64-93
Набережные Челны (8552)20-53-41
Нижний Новгород (831)429-08-12
Новокузнецк (3843)20-46-81
Ноябрьск (3496)41-32-12
Новосибирск (383)227-86-73
Омск (3812)21-46-40
Орел (4862)44-53-42
Оренбург (3532)37-68-04
Пенза (8412)22-31-16
Петрозаводск (8142)55-98-37
Псков (8112)59-10-37
Пермь (342)205-81-47

Ростов-на-Дону (863)308-18-15
Рязань (4912)46-61-64
Самара (846)206-03-16
Санкт-Петербург (812)309-46-40
Саратов (845)249-38-78
Севастополь (8692)22-31-93
Саранск (8342)22-96-24
Симферополь (3652)67-13-56
Смоленск (4812)29-41-54
Сочи (862)225-72-31
Ставрополь (8652)20-65-13
Сургут (3462)77-98-35
Сыктывкар (8212)25-95-17
Тамбов (4752)50-40-97
Тверь (4822)63-31-35

Тольятти (8482)63-91-07
Томск (3822)98-41-53
Тула (4872)33-79-87
Тюмень (3452)66-21-18
Ульяновск (8422)24-23-59
Улан-Удэ (3012)59-97-51
Уфа (347)229-48-12
Хабаровск (4212)92-98-04
Чебоксары (8352)28-53-07
Челябинск (351)202-03-61
Череповец (8202)49-02-64
Чита (3022)38-34-83
Якутск (4112)23-90-97
Ярославль (4852)69-52-93

Россия +7(495)268-04-70

Казахстан +7(7172)727-132

Киргизия +996(312)96-26-47

<https://laswim.nt-rt.ru> || aiw@nt-rt.ru

Commercial Filter

WL-HF Horizontal Sand Filter



Horizontal sand filter are made of polyester reinforced with fiberglass; they are totally anti-corrosion and have high mechanical , chemical and thermal resistance, higher quality water is achieved with their greater filtering capacity.

Horizontal Sand Filter

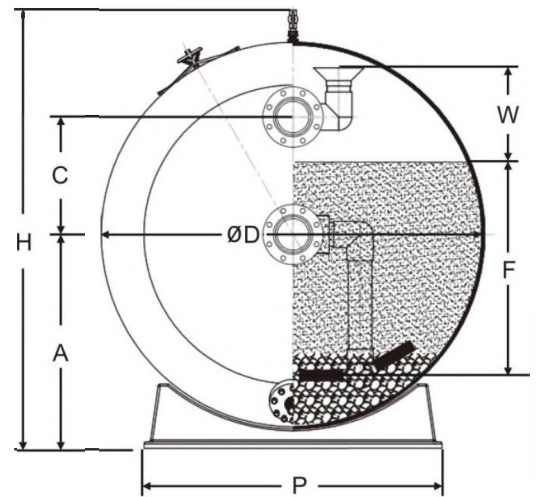
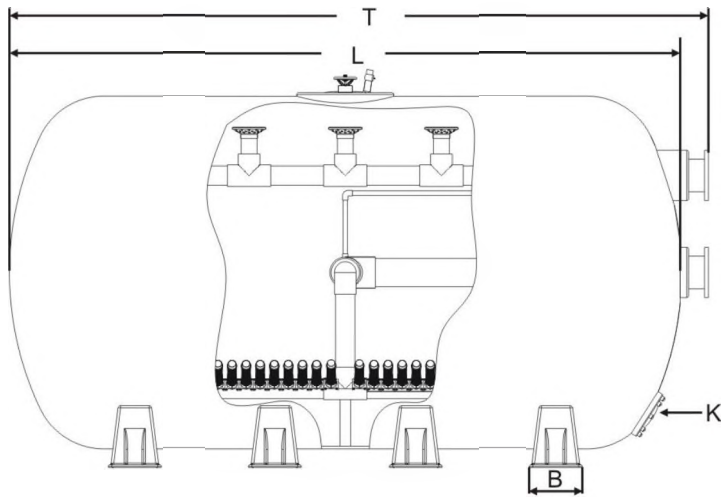
Horizontal sand filter are made of polyester reinforced with fiberglass; they are totally anti-corrosive and have high mechanical , chemical and thermal resistance, higher quality water is achieved with their greater filtering capacity. Indexes of turbidity and contaminants of the filtered water are reduced due to their increased retention capacity, the time between back washed increases proportionally with the height of the filter bed, meaning there are fewer interruptions in filtration, and lower water consumption, because the number of back washes needed is decreased and there is less erosion of the filtering material.

A horizontal filter is the ideal choice in cases where a great volume of water is to be treated, and in cases which require optimization of the available space, as a single horizontal filter can suitable up to 3 vertical filters of the same diameter simply by increasing its length.

Detailed Photos



Parameters



L (mm)	H (mm)	A (mm)	B (mm)	C (mm)	T (mm)	P (mm)	K(mm)	W(mm)	F(mm)
Φ1200mm									
1900	1390	725	250	340	2050	900	180	225	550
2300	1390	725	250	340	2450	900	180	225	550
2500	1390	725	250	340	2650	900	180	225	550
2700	1390	725	250	340	2850	900	180	225	550
3000	1390	725	250	340	3150	900	180	225	550
Φ1400mm									
1900	1600	810	300	400	2150	960	180	225	750
2500	1600	810	300	400	2650	960	180	225	750
3000	1600	810	300	400	3150	960	180	225	750
Φ1600mm									
1900	1830	925	300	450	2100	1230	180	250	910
2500	1830	925	300	450	2700	1230	180	250	910
3000	1830	925	300	450	3200	1230	180	250	910
Φ1800mm									
2500	2050	1040	300	550	2700	1380	180	300	1000
3000	2050	1040	300	550	3200	1380	180	300	1000
3500	2050	1040	300	550	3700	1380	180	300	1000
Φ2000mm									
2500	2220	1090	330	550	2730	1500	180	400	1000-1200
3000	2220	1090	330	550	3230	1500	180	400	1000-1200
3500	2220	1090	330	550	3730	1500	180	400	1000-1200
4000	2220	1090	330	550	4230	1500	180	400	1000-1200
4500	2220	1090	330	550	4730	1500	180	400	1000-1200

φ1200mm

Model	L Length(mm)	Pipe Size		Filter Area(m ²)	Design flow		0.4-0.8mm Sand Weight (kg)	1-2mm Gravel Weight (kg)	Tank Diameter(mm)	Tank Height(mm)
		inches	mm		m ³ /h	lpm				
WL-HF121900	1900	4	110	1.96	59	983	1100	430	1200	1390
WL-HF122300	2300	6	160	2.42	73	1216	1430	550	1200	1390
WL-HF122500	2500	6	160	2.65	79	1316	1750	700	1200	1390
WL-HF122700	2700	6	160	2.87	86	1433	2080	830	1200	1390
WL-HF123000	3000	6	160	3.21	96	1599	2330	925	1200	1390

φ1400mm

Model	L Length(mm)	Pipe Size		Filter Area(m ²)	Design flow		0.4-0.8mm Sand Weight (kg)	1-2mm Gravel Weight (kg)	Tank Diameter(mm)	Tank Height(mm)
		inches	mm		m ³ /h	lpm				
WL-HF141900	1900	4	110	2.23	67	1116	2000	580	1400	1600
WL-HF142500	2500	6	160	3.02	91	1516	2750	800	1400	1600
WL-HF143000	3000	6	160	3.67	110	1833	3375	1000	1400	1600

φ1600mm

Model	L Length(mm)	Pipe Size		Filter Area(m ²)	Design flow		0.4-0.8mm Sand Weight (kg)	1-2mm Gravel Weight (kg)	Tank Diameter(mm)	Tank Height(mm)
		inches	mm		m ³ /h	lpm				
WL-HF161900	1900	6	160	2.47	74	1233	2800	600	1600	1830
WL-HF162500	2500	6	160	3.36	101	1683	3800	850	1600	1830

WL-HF163000	3000	6	160	4.1	123	2049	4700	1050	1600	1830
-------------	------	---	-----	-----	-----	------	------	------	------	------

φ1800mm

Model	L Length (mm)	Pipe Size		Filter Area(m ²)	Design flow		0.4-0.8mm Sand Weight (kg)	1-2mm Gravel Weight (kg)	Tank Diameter(mm)	Tank Height(mm)
		inches	mm		m ³ /h	lpm				
WL-HF182500	2500	6	160	3.74	112	1866	4850	980	1800	2050
WL-HF183000	3000	6	160	4.58	137	2282	5930	1230	1800	2050
WL-HF183500	3500	6	200	5.41	162	2699	7000	1480	1800	2050
WL-HF184000	4000	6	200	6.25	187	3115	8080	1700	1800	2050

φ2000mm

Model	L Length (mm)	Pipe Size		Filter Area(m ²)	Design flow		0.4-0.8mm Sand Weight(kg)	1-2mm Gravel Weight(kg)	Tank Diameter(mm)	Tank Height(mm)
		inches	mm		m ³ /h	lpm				
WL-HF202500	2500	6	160	4.34	130	2166	6000	1050	2000	2220
WL-HF203000	3000	6	160	5.3	159	2649	7450	1300	2000	2220
WL-HF203500	3500	8	200	6.25	187	3282	8900	1550	2000	2220
WL-HF204000	4000	8	200	7.21	216	3599	10350	1800	2000	2220
WL-HF204500	4500	8	200	8.16	245	4082	11800	2080	2000	2220

Standard:

Maximum working pressure:36psi/2.5kg/m²
Maximum operating water temperature:50°C
Maximum testing pressure:58psi/4.0kg/cm²

Optional:

Maximum working pressure:58psi/4.0kg/m²
Maximum operating water temperature:50°C
Maximum testing pressure:86psi/6.0kg/cm²

WL-CCG Commercial Hi-Rate Sand Filter Filter



Commercial hi-rate sand filter is constructed of polyester resin and non-corrosive fiberglass filament winding, all internal components and connections are injection molded PVC. UV-resistance surface allows working under sunshine.

COMMERCIAL HI-RATE SAND FILTERS

Superior engineering and a company-wide commitment to customer satisfaction have produced a series of vertical filters that are built to be tougher, longer lasting and better performing than any other competing vertical commercial hi-rate sand filters.

Constructed of polyester resin and non-corrosive fiberglass filament winding, all internal components and connections are injection molded PVC. UV-resistance surface allows working under sunshine.

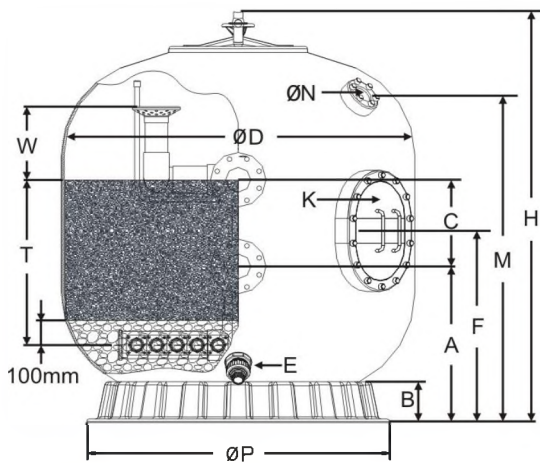
Detailed Photos



Optional: Sight glass, manhole, nozzle plate.



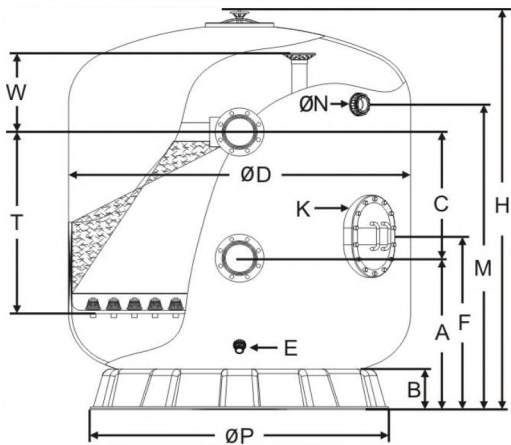
Product Parameters



With Lateral

D (mm)	1200	1400	1600	1800	2000	2300	2500
H (mm)	1400	1600	1750	1950	2140	2350	2450
A (mm)	560	650	680	730	800	940	960
B (mm)	165	165	215	215	240	240	240
C (mm)	340	350	450	550	550	600	600
E (mm)	60	60	60	60	60	60	60
F (mm)	740	800	875	910	1050	1070	1100
K (mm)	180x180	400x300	400x300	400x300	400x300	450x300	450x350
M (mm)	1150	1250	1450	1650	1700	1800	1900
N (mm)	80	80	80	80	80	80	80
P (mm)	1010	1215	1450	1610	1800	2010	2010
T (mm)	600	700	800	850	900	1000	1050
W (mm)	300	300	320	320	350	400	400

Model	Flange Connections		Filter Area (m ²)	Design Flow		0.4-0.8mm Sand Weight (kg)	1-2mm Gravel Weight (kg)	Tank Diameter (mm)	Tank Height (mm)
	inches	mm		m ³ /h	lpm				
WL-CCG1200	3	90	1.13	45	750	750	300	1200	1400
WL-CCG1400	4	110	1.54	61	1016	1200	500	1400	1600
WL-CCG1600	4	110	2.01	80	1333	1850	750	1600	1750
WL-CCG1800	6	160	2.54	101	1683	2500	1050	1800	1950
WL-CCG2000	6	160	3.14	125	2083	3300	1150	2000	2140
WL-CCG2200	6	160	3.80	152	2532	4150	1470	2200	2350
WL-CCG2300	8	200	4.15	166	2766	4900	1600	2300	2350
WL-CCG2350	8	200	4.35	175	2916	5000	1800	2350	2350
WL-CCG2500	8	200	4.90	196	3265	6000	2200	2500	2450
WL-CCG3000	8	200	7.07	282	4698	8600	3300	3000	2650



With Nozzle Plate

D (mm)	1420	1620	1830	2030	2300	2500
H (mm)	1900	2000	2100	2200	2350	2400
A (mm)	700	810	850	900	940	960
B (mm)	165	215	215	240	240	240
C (mm)	550	550	550	550	600	600
E (mm)	40	40	40	40	40	40
F (mm)	850	900	980	1030	1070	1100
K (mm)	400X300	400X300	400X300	400X300	450X350	450X350
M (mm)	1400	1500	1600	1700	1800	1900
N (mm)	80	80	80	80	80	80
P (mm)	1215	1450	1610	1800	2010	2010
T (mm)	1000	1000	1000	1000	1000	1050
W (mm)	300	320	320	350	400	400

Model	Flange Connections		Filter Area (m ²)	Design Flow		0.4-0.8mm Sand Weight (kg)	1-2mm Gravel Weight (kg)	Tank Diameter (mm)	Tank Height (mm)
	inches	mm		m ³ /h	lpm				
WL-CCG1400	4	110	1.54	61	1016	1800	220	1420	1900
WL-CCG1600	6	160	2.01	80	1333	2300	300	1620	2000
WL-CCG1800	6	160	2.54	101	1683	2900	360	1830	2100
WL-CCG2000	6	160	3.14	125	2083	3600	440	2030	2200
WL-CCG2300	8	200	4.15	166	2766	4800	580	2300	2350
WL-CCG2500	8	200	4.90	196	3265	5700	680	2500	2400
WL-CCG3000	8	200	7.07	282	4698	8250	980	3000	2650

STANDARD: MAXIMUM WORKING PRESSURE: 36psi/2.5kg/cm² MAXIMUM OPERATING WATER TEMPERATURE ≤50°C MAXIMUM TESTING PRESSURE: 58psi/4.0kg/cm²
 OPTIONAL: MAXIMUM WORKING PRESSURE: 58psi/4.0kg/cm² MAXIMUM OPERATING WATER TEMPERATURE ≤50°C MAXIMUM TESTING PRESSURE: 86psi/6.0kg/cm²

Алматы (7273)495-231
Ангарск (3955)60-70-56
Архангельск (8182)63-90-72
Астрахань (8512)99-46-04
Барнаул (3852)73-04-60
Белгород (4722)40-23-64
Благовещенск (4162)22-76-07
Брянск (4832)59-03-52
Владивосток (423)249-28-31
Владикавказ (8672)28-90-48
Владимир (4922)49-43-18
Волгоград (844)278-03-48
Вологда (8172)26-41-59
Воронеж (473)204-51-73
Екатеринбург (343)384-55-89

Иваново (4932)77-34-06
Ижевск (3412)26-03-58
Иркутск (395)279-98-46
Казань (843)206-01-48
Калининград (4012)72-03-81
Калуга (4842)92-23-67
Кемерово (3842)65-04-62
Киров (8332)68-02-04
Коломна (4966)23-41-49
Кострома (4942)77-07-48
Краснодар (861)203-40-90
Красноярск (391)204-63-61
Курск (4712)77-13-04
Курган (3522)50-90-47
Липецк (4742)52-20-81

Магнитогорск (3519)55-03-13
Москва (495)268-04-70
Мурманск (8152)59-64-93
Набережные Челны (8552)20-53-41
Нижний Новгород (831)429-08-12
Новокузнецк (3843)20-46-81
Ноябрьск (3496)41-32-12
Новосибирск (383)227-86-73
Омск (3812)21-46-40
Орел (4862)44-53-42
Оренбург (3532)37-68-04
Пенза (8412)22-31-16
Петрозаводск (8142)55-98-37
Псков (8112)59-10-37
Пермь (342)205-81-47

Ростов-на-Дону (863)308-18-15
Рязань (4912)46-61-64
Самара (846)206-03-16
Санкт-Петербург (812)309-46-40
Саратов (845)249-38-78
Севастополь (8692)22-31-93
Саранск (8342)22-96-24
Симферополь (3652)67-13-56
Смоленск (4812)29-41-54
Сочи (862)225-72-31
Ставрополь (8652)20-65-13
Сургут (3462)77-98-35
Сыктывкар (8212)25-95-17
Тамбов (4752)50-40-97
Тверь (4822)63-31-35

Тольятти (8482)63-91-07
Томск (3822)98-41-53
Тула (4872)33-79-87
Тюмень (3452)66-21-18
Ульяновск (8422)24-23-59
Улан-Удэ (3012)59-97-51
Уфа (347)229-48-12
Хабаровск (4212)92-98-04
Чебоксары (8352)28-53-07
Челябинск (351)202-03-61
Череповец (8202)49-02-64
Чита (3022)38-34-83
Якутск (4112)23-90-97
Ярославль (4852)69-52-93

Россия +7(495)268-04-70

Казахстан +7(7172)727-132

Киргизия +996(312)96-26-47

<https://laswim.nt-rt.ru> || aiw@nt-rt.ru