

Алматы (7273)495-231
 Ангарск (3955)60-70-56
 Архангельск (8182)63-90-72
 Астрахань (8512)99-46-04
 Барнаул (3852)73-04-60
 Белгород (4722)40-23-64
 Благовещенск (4162)22-76-07
 Брянск (4832)59-03-52
 Владивосток (423)249-28-31
 Владикавказ (8672)28-90-48
 Владимир (4922)49-43-18
 Волгоград (844)278-03-48
 Вологда (8172)26-41-59
 Воронеж (473)204-51-73
 Екатеринбург (343)384-55-89

Иваново (4932)77-34-06
 Ижевск (3412)26-03-58
 Иркутск (395)279-98-46
 Казань (843)206-01-48
 Калининград (4012)72-03-81
 Калуга (4842)92-23-67
 Кемерово (3842)65-04-62
 Киров (8332)68-02-04
 Коломна (4966)23-41-49
 Кострома (4942)77-07-48
 Краснодар (861)203-40-90
 Красноярск (391)204-63-61
 Курск (4712)77-13-04
 Курган (3522)50-90-47
 Липецк (4742)52-20-81

Магнитогорск (3519)55-03-13
 Москва (495)268-04-70
 Мурманск (8152)59-64-93
 Набережные Челны (8552)20-53-41
 Нижний Новгород (831)429-08-12
 Новокузнецк (3843)20-46-81
 Ноябрьск (3496)41-32-12
 Новосибирск (383)227-86-73
 Омск (3812)21-46-40
 Орел (4862)44-53-42
 Оренбург (3532)37-68-04
 Пенза (8412)22-31-16
 Петрозаводск (8142)55-98-37
 Псков (8112)59-10-37
 Пермь (342)205-81-47

Ростов-на-Дону (863)308-18-15
 Рязань (4912)46-61-64
 Самара (846)206-03-16
 Санкт-Петербург (812)309-46-40
 Саратов (845)249-38-78
 Севастополь (8692)22-31-93
 Саранск (8342)22-96-24
 Симферополь (3652)67-13-56
 Смоленск (4812)29-41-54
 Сочи (862)225-72-31
 Ставрополь (8652)20-65-13
 Сургут (3462)77-98-35
 Сыктывкар (8212)25-95-17
 Тамбов (4752)50-40-97
 Тверь (4822)63-31-35

Тольятти (8482)63-91-07
 Томск (3822)98-41-53
 Тула (4872)33-79-87
 Тюмень (3452)66-21-18
 Ульяновск (8422)24-23-59
 Улан-Удэ (3012)59-97-51
 Уфа (347)229-48-12
 Хабаровск (4212)92-98-04
 Чебоксары (8352)28-53-07
 Челябинск (351)202-03-61
 Череповец (8202)49-02-64
 Чита (3022)38-34-83
 Якутск (4112)23-90-97
 Ярославль (4852)69-52-93

Россия +7(495)268-04-70

Казахстан +7(7172)727-132

Киргизия +996(312)96-26-47

<https://laswim.nt-rt.ru> || aiw@nt-rt.ru

Fiberglass Sand Filter

WL-ECG Series Filter



Depth Sand Filters are made of high quality fibre glass which is chemical and sunlight resistance, and can be installed out-of-doors. Side Mount, easy for operating. It also can be feeded and mixed different filtrate medium (such as : Zeolite, Sand and Active carbon) to make the water more clear. It is the best choice for residential area and public water.

DEPTH SAND FILTER POOL FILTERS

It is made of high quality fiberglass which is chemical and sunlight resistance, and can be installed out-of-doors. Side Mount, easy for operating. It also can be feeded and mixed different filtrate medium(Such as: Zeolite, Sand and Active carbon) to make the water more clear. It is the best choice for residential area and public water.

This filter can be with flange or valve
 With Manhole, Slight glass, Collector arm.
 Optional: Nozzle plate.

It is made of high quality fiberglass which is chemical and sunlight resistance, and can be installed out-of-doors. Side Mount, easily for operating. It also can be feeded and mixed different filtrate medium (Such as: Zeolite, Sand and Active carbon) to make the water more clear. It is best choice for residential area and public water.

This filter can be with flange or valve
 With Manhole, Slight glass, Collector arm.
 Optional : Nozzle plate



Collector Arms



Nozzle Plate

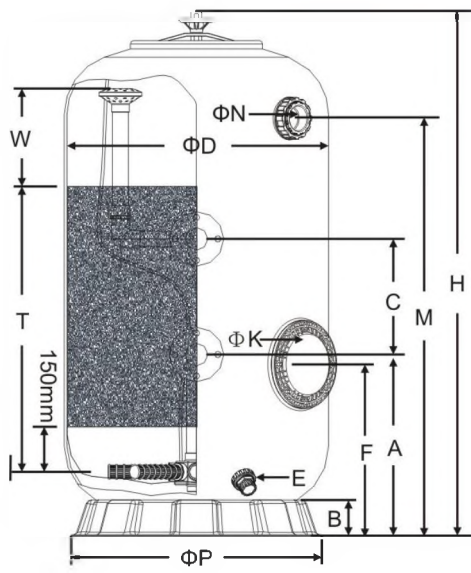


With Flange



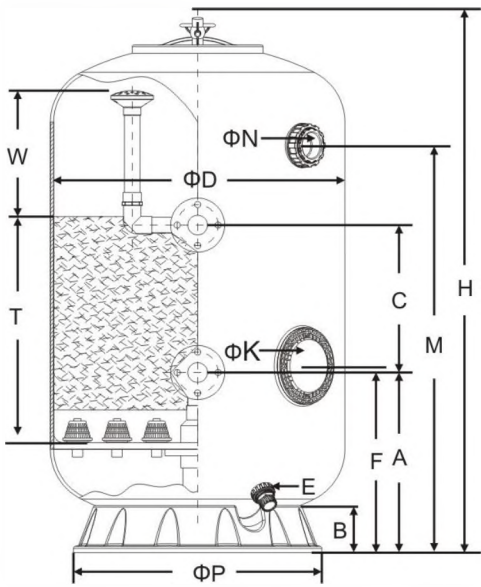
With Valve

Product Parameters



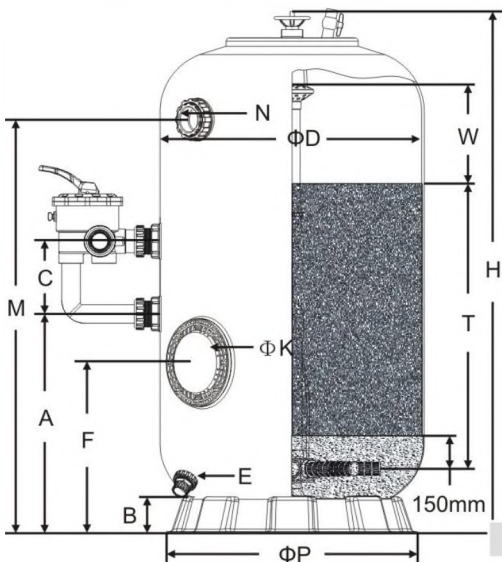
With Lateral

Model	15800	15900	151000	151200	20800	20900	201000	201200
D (mm)	800	900	1000	1200	800	900	1000	1200
H (mm)	1600	1600	1600	1600	2100	2100	2100	2100
A (mm)	550	550	550	650	800	800	800	800
B (mm)	150	150	150	180	150	150	150	180
C (mm)	350	350	350	350	350	350	350	350
E (mm)	40	40	40	40	40	40	40	40
F (mm)	520	520	520	600	520	520	520	600
K (mm)	180	180	180	180	180	180	180	180
M (mm)	1120	1120	1120	1120	1600	1600	1600	1600
N (mm)	80	80	80	80	80	80	80	80
P (mm)	790	790	790	1010	790	790	790	1010
T (mm)	800	800	800	800	1250	1250	1250	1250
W (mm)	350	350	350	350	400	400	400	400



With Nozzle Plate

Model	15800	15900	151000	151200	20800	20900	201000	201200
D (mm)	800	900	1000	1200	800	900	1000	1200
H (mm)	1600	1600	1600	1600	2100	2100	2100	2100
A (mm)	550	550	550	650	800	800	800	800
B (mm)	150	150	150	180	150	150	150	180
C (mm)	350	350	350	350	350	350	350	350
E (mm)	40	40	40	40	40	40	40	40
F (mm)	600	600	600	680	600	600	600	680
M (mm)	1120	1120	1120	1120	1600	1600	1600	1600
K (mm)	180	180	180	180	180	180	180	180
N (mm)	80	80	80	80	80	80	80	80
P (mm)	790	790	790	790	790	790	790	1010
T (mm)	800	800	800	800	1250	1250	1250	1250
W (mm)	160	160	160	160	160	160	160	160



With Valve

Model	15800	15900	151000	151200	20800	20900	201000	201200
D (mm)	800	900	1000	1200	800	900	1000	1200
H (mm)	1600	1600	1600	1600	2100	2100	2100	2100
A (mm)	550	550	550	650	800	800	800	800
B (mm)	120	120	145	165	120	120	145	165
C (mm)	220	220	220	220	220	220	220	220
E (mm)	40	40	40	40	40	40	40	40
F (mm)	520	520	520	600	520	520	520	600
K (mm)	180	180	180	180	180	180	180	180
M (mm)	1120	1120	1120	1120	1600	1600	1600	1600
N (mm)	80	80	80	80	80	80	80	80
P (mm)	790	790	790	980	790	790	790	1010
T (mm)	800	800	800	800	1250	1250	1250	1250
W (mm)	350	350	350	350	400	400	400	400

Model	Pipe Size		Filter Area(m ²)	Design Flow		Sand Weight 0.5-0.8mm(kg)	Grave Weight 1-2mm(kg)	Tank Diameter(mm)	Tank Height (mm)
	inches	mm		m ³ /h	lpm				
WL-ECG15800V	2	63	0.5	20	333	455	170	800	1600
wl-ECG15900V	2	63	0.64	25.6	426	585	230	900	1600
WL-ECG151000V	2	63	0.79	61.6	526	720	720	1000	1600
WL-ECG151200V	2	63	1.13	40	666	1030	1030	1200	1600
WL-ECG151200V-2.5	2.5	75	1.13	45.2	753	1030	1030	1200	1600
WL-ECG20800V	2	63	0.5	15	250	770	770	800	2100
WL-ECG20900V	2	63	0.64	19	317	990	990	900	2100
WL-ECG201000V	2	63	0.79	23.7	395	1220	1220	1000	2100
WL-ECG201200V	2	63	1.13	30	500	1740	1740	1200	2100
WL-ECG201200V-2.5	2.5	75	1.13	33.9	565	1740	1740	1200	2100

With Flange

Model	Pipe Size		Filter Area(m ²)	Design Flow		Sand Weight 0.5-0.8mm(kg)	Grave Weight 1-2mm(kg)	Tank Diameter(mm)	Tank Height (mm)
	inches	mm		m ³ /h	lpm				
WL-ECG15800F	2	63	0.5	20	333	455	170	800	1600
WL-ECG15900F	2	63	0.64	25.6	426	585	230	900	1600
WL-ECG151000F	2	63	0.79	31.6	526	720	270	1000	1600
WL-ECG151200F	3	90	1.13	45.2	753	1030	450	1200	1600
WL-ECG151400F	3	90	1.54	61.6	1026	1030	450	1400	1600
WL-ECG20800F	2	63	0.5	15	250	770	170	800	2100
WL-ECG20900F	2	63	0.64	19	317	990	230	900	2100
WL-ECG201000F	2	63	0.79	23.7	395	1220	270	1000	2100
WL-ECG201200F	3	90	1.13	33.9	565	1740	450	1200	2100
WL-ECG201400F	3	90	1.54	46.2	770	2100	500	1400	2100

With Nozzle

Model	Pipe Size	Filter Area(m ²)	Design Flow	Sand Weig	Grave Weigh	Tank Diamete	Tank Height
-------	-----------	------------------------------	-------------	-----------	-------------	--------------	-------------

	inches	mm	m2)	m³/h	lpm	ht 0.5- 0.8m m(kg)	t 1- 2mm(kg)	r(mm)	(mm)
WL-ECG15800	2	63	0.5	20	333	455	110	800	1600
WL-ECG15900	2	63	0.64	25.6	426	585	145	900	1600
WL- ECG151000	2	63	0.79	31.6	526	720	175	1000	1600
WL- ECG151200	3	90	1.13	45.2	753	1030	255	1200	1600
WL- ECG151400	3	90	1.54	61.6	1026	1100	320	1400	1600
WL-ECG20800	2	63	0.5	15	250	770	110	800	2100
WL-ECG20900	2	63	0.64	19	317	990	145	900	2100
WL- ECG201000	2	63	0.79	23.7	395	1220	175	1000	2100
WL- ECG201200	3	90	1.13	33.9	565	1740	255	1200	2100
WL- ECG201400	3	90	1.54	46.2	770	2100	320	1400	2100

STANDARD:

MAXIMUM WORKING PRESSURE: 36psi/2.5kg/cm²

MAXIMUM OPERATING WATER TEMPERATURE ≤50°C

MAXIMUM TESTING PRESSURE: 58psi/4.0kg/cm²

OPTIONAL:

MAXIMUM WORKING PRESSURE: 58psi/4.0kg/cm²

MAXIMUM OPERATING WATER TEMPERATURE ≤50°C

MAXIMUM TESTING PRESSURE: 86psi/6.0kg/cm²

WL-DDG Depth Sand Filters



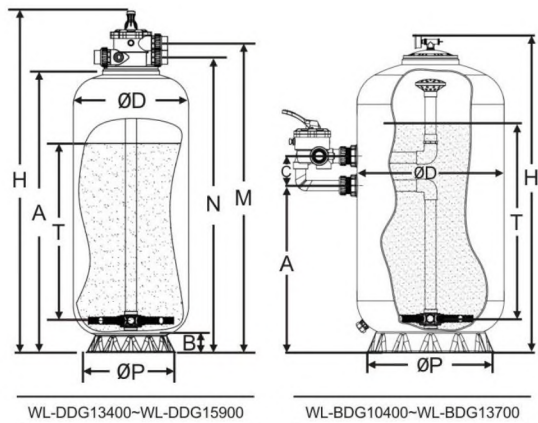
High quality and high performance are aesthetically designed for water treatment. High density fiberglass sand filter are constructed by the latest engineering technology. The improvement of flow ability provides an ultra-pure water-filtration. The fiberglass winding design allows the filter to have extra strength and resistance to chemical and corrosives. They're the most recommendable equipment for the application of water treatment.

Laswim swimming pool filters WL-DDG / WL-BDG

High quality and high performance are aesthetically designed for water treatment.

High Density Fiberglass Sand Filters are constructed by the latest engineering technology. The improvement of flow ability provides an Ultra-pure water filtration. The fiberglass winding design allows the filter to have extra strength and resistance to chemical and corrosives. These filters are the most recommendable equipment for the application of water and industrial water treatment.

Product Parameters



WL-DDG13400~WL-DDG15700

ΦD (mm)	400	450	530	630	700	400	450	530	630	700
H (mm)	1300	1300	1300	1300	1300	1500	1500	1500	1500	1500
A (mm)	1062	1062	1062	1062	1062	1262	1262	1262	1262	1262
B (mm)	75	75	75	95	95	75	75	75	95	95
M (mm)	1174	1174	1174	1174	1174	1374	1374	1374	1374	1374
N (mm)	1115	1115	1115	1115	1115	1315	1315	1315	1315	1315
ΦP (mm)	390	390	390	565	565	390	390	390	565	565
T (mm)	650	650	650	630	630	850	850	850	830	830

WL-BDG10400~WL-BDG13700

ΦD (mm)	400	450	530	630	700	400	450	530	630	700
H (mm)	1160	1160	1160	1160	1160	1360	1360	1360	1360	1360
A (mm)	660	660	660	660	660	860	860	860	860	860
C (mm)	125	125	125	125	125	125	125	125	125	125
ΦP (mm)	390	390	390	565	565	390	390	390	565	565
T (mm)	650	650	650	650	650	850	850	850	850	850

WL-DDG

Model	Pipe Size		Filter Area(m ²)	Design Flow(m ³ /h)		0.4-0.8mm Sand Weight(kg)	Tank Diameter(mm)	Tank Height(m)
	inches	mm		m ³ /h	lpm			
WL-DDG13400	1.5	50	0.13	4.5	75	120	400	1300
WL-DDG13450	1.5	50	0.16	5.6	93	150	450	1300
WL-DDG13500	1.5	50	0.2	7	117	185	530	1300
WL-DDG13600	1.5	50	0.32	11.2	187	245	630	1300
WL-DDG13700	1.5	50	0.37	13	217	345	700	1300
WL-DDG15400	1.5	50	0.13	3.9	65	150	400	1500
WL-DDG15450	1.5	50	0.16	4.8	80	195	450	1500
WL-DDG15500	1.5	50	0.2	6	100	240	530	1500
WL-DDG15600	1.5	50	0.32	9.6	160	325	630	1500
WL-DDG15700	1.5	50	0.37	11	183	400	700	1500
WL-DDG15800	2	63	0.5	15	250	500	800	1500
WL-DDG15900	2	63	0.64	19.2	320	590	900	1500

WL-BDG

Model	Pipe Size		Filter Area(m ²)	Design Flow(m ³ /h)		0.4-0.8mm Sand Weight(kg)	Tank Diameter(mm)	Tank Height(mm)
	inches	mm		m ³ /h	lpm			
WL-BDG10400	1.5	50	0.13	4.5	75	110	400	1160
WL-BDG10450	1.5	50	0.16	5.6	93	140	450	1160
WL-BDG10500	1.5	50	0.2	7	117	170	500	1160
WL-BDG10600	1.5	50	0.32	11.2	187	230	630	1160

WL-BDG10700	1.5	50	0.37	13	217	325	700	1160
WL-BDG13400	1.5	50	0.13	3.9	65	140	400	1360
WL-BDG13450	1.5	50	0.16	4.8	80	185	450	1360
WL-BDG13500	1.5	50	0.2	6	100	225	500	1360
WL-BDG13600	1.5	50	0.32	9.6	160	310	630	1360
WL-BDG13700	1.5	50	0.37	11	183	430	700	1360

MAXIMUM WORKING PRESSURE:58psi/4.0bar/cm²

MAXIMUM TEMPERATURE ≤50°C

MAXIMUM TESTING PRESSURE:86psi/6.0bar/cm²

WL-BCG Series Filter



Side mount sand filter are built to be tougher, longer lasting and better performing. Constructed of polyester resin and non-corrosive fireglass filament winding, all internal components and connections are injection molded PC.

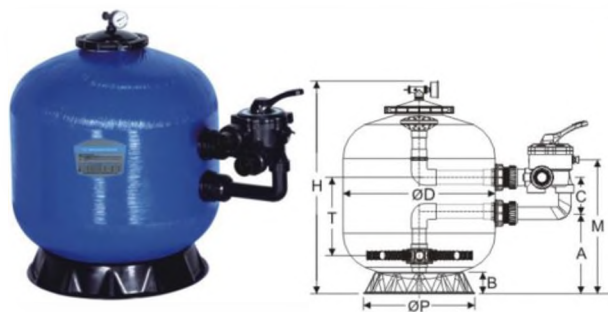
"WL-BCG" SERIES FILTERS

Side mount sand filters are built to be tougher, longer lasting and better performing. Constructed of polyester resin and non-corrosive fiberglass filament winding, all internal components and connections are injection molded PVC. They produce more filtered water with less pump horsepower. UV-resistance surface allows working under sunshine. Easy-to-use six-position valve makes you select any of the valve/filter operation in a proper way.



Standard: plastic clamp

Optional: stainless steel clamp
maximum working pressure:50psi



WL-BCG450~WL-BCG700



WL-BCG800~WL-BCG1400

ΦD(mm)	450	535	635	710	750	800	900	1000	1100	1200	1400
H(mm)	670	710	810	880	980	1010	1100	1160	1260	1340	1570
A(mm)	260	290	310	360	385	385	430	540	540	540	700
B(mm)	75	75	95	90	120	150	150	150	180	180	180

C(mm)	125	125	125	125	220	220	220	220	220	220	220
M(mm)	440	460	490	540	680	680	725	835	835	835	995
ΦP(mm)	390	390	565	565	565	790	790	790	1010	1010	1010
T(mm)	250	280	300	350	400	420	480	510	560	600	630

Product Parameters

Model	Pipe Size		Filter Area(m ²)	Design Flow		0.5-0.8mm Sand Weight (kg)	Tank Volume (m ³)	Valve Volume (m ³)	Tank Diameter (mm)	Tank Height (mm)
	inches	mm		m ³ /h	lpm					
WL-BCG450	1.5	50	0.16	8	133	50	0.15	0.02	450	670
WL-BCG500	1.5	50	0.23	11.5	192	80	0.2	0.02	535	710
WL-BCG650	1.5	50	0.32	16	267	160	0.32	0.02	635	810
WL-BCG700	1.5	50	0.4	20	333	220	0.42	0.02	710	880
WL-BCG750	2	63	0.44	22	367	230	0.44	0.02	750	980
WL-BCG800	2	63	0.5	25	417	260	0.68	0.02	800	1010
WL-BCG900	2	63	0.64	30	533	400	0.92	0.02	900	1100
WL-BCG1000	2	63	0.79	35	645	600	1.48	0.02	1000	1160
WL-BCG1100	2	63	0.95	44	716	800	1.98	0.02	1100	1260
WL-BCG1200	2	63	1.13	50	850	920	2.42	0.02	1200	1340
WL-BCG1400	2	63	1.53	68	1133	1400	3.26	0.02	1400	1570

STANDARO: MAXIMUM WORKING PRESSURE:36psi/2.5kg/cm²

MAXIMUM OPERATING WATER TEMPERATURE≤50°C

MAXIMUM TESTING PRESSURE:58psi/4.0kg/cm²

OPTIONAL: MAXIMUM WORKING PRESSURE:58psi/4.0kg/cm²(WL-BCG800-1400)

MAXIMUM OPERATING WATER TEMPERATURE≤50°C

MAXIMUM TESTING PRESSURE 86psi/6.0kg/cm²

WL-ADG Series Filter



Top mount sand vertical filters are built to be tougher, longer lasting and better performing. Constructed of polyester resin and non-corrosive extra-thick fibreglass filament winding, all internal components and connections are injection molded PVC.

WL-ADG Series Filters

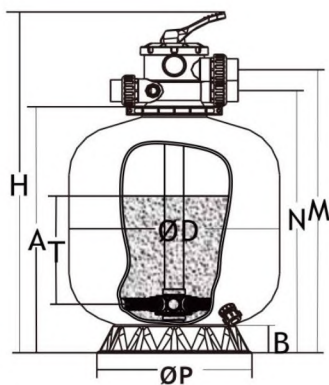
Top mount sand vertical filters are built to be tougher, longer lasting and better performing. Constructed of polyester resin and non-corrosive extra-thick fiberglass filament winding, all internal components and connections are injection molded PVC. UV-resistance surface allows working under sunshine.

Easy-to-use six-position valve makes you select any of the valve/filter operation in a proper way.

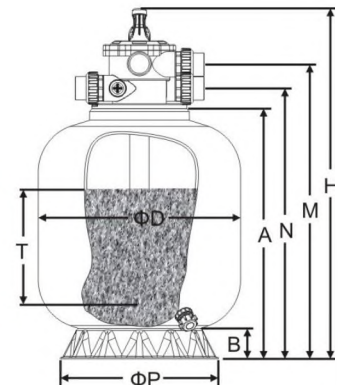
Six-way Multiport Valve Function:

1. FILTER (Normal filtration and vacuuming).
2. BACKWASH (Clean filter by reversing the flow).
3. RINSE (Used after backwash to flush dirt from valve).
4. WASTE (By-pass filter, used for vacuuming to waste or lowering water level).
5. RECIRCULATE (By-passes filter for circulating water to pool).
6. CLOSE

Product Parameters



WL-ADG350~WL-ADG700



WL-ADG800~WL-ADG1400

ØD(mm)	350	410	450	535	635	710	750	800	900	1000	1100	1200	1400
H(mm)	750	770	830	870	970	1040	1120	1130	1270	1340	1460	1540	1750
A(mm)	490	510	570	610	710	780	820	830	970	1040	1160	1240	1450
B(mm)	75	75	75	75	95	95	95	150	150	150	180	180	180
M(mm)	600	620	680	720	820	890	962	973	1112	1182	1302	1392	1592
N(mm)	545	565	625	665	765	835	882	892	1032	1102	1222	1312	1512
ØP(mm)	319	319	390	390	565	565	565	790	790	790	1010	1010	1010
T(mm)	150	160	220	260	370	450	490	490	500	520	570	650	850

Model	Pipe Size		Filter Area(m ²)	Design Flow(m ³ /h)		0.5-0.8mm Sand Weight (kg)	Tank Volum (m ³)	Valve Volum (m ³)	Tank Weight(kg)	Valve Weight(kg)
	inches	mm		m ³ /h	lpm					
WL-ADG350	1.5	50	0.1	4.5	75	25	0.06	0.02	350	750
WL-ADG400	1.5	50	0.13	6.5	108	34	0.09	0.02	410	770
WL-ADG450	1.5	50	0.16	8	133	50	0.15	0.02	450	830
WL-ADG500	1.5	50	0.23	11.5	192	80	0.2	0.02	535	870
WL-ADG650	1.5	50	0.32	16	267	160	0.32	0.02	635	970
WL-ADG700	1.5	50	0.4	20	333	220	0.42	0.02	710	1040
WL-ADG750	2	63	0.44	22	367	230	0.44	0.03	750	1120
WL-ADG800	2	63	0.5	25	417	260	0.68	0.03	800	1130
WL-ADG900	2	63	0.64	30	533	400	0.95	0.03	900	1270
WL-ADG1000	2	63	0.79	35	645	600	1.29	0.03	1000	1340
WL-ADG1100	2	63	0.95	44	716	800	1.4	0.03	1100	1460
WL-ADG1200	2	63	1.13	50	850	920	2.26	0.03	1200	1540
WL-ADG1400	2	63	1.53	68	1133	1400	3.5	0.03	1400	1750

STANDARD: MAXIMUM WORKING PRESSURE: 36psi/2.5kg/cm²

MAXIMUM OPERATING WATER TEMPERATURE≤50°C

MAXIMUM TESTING PRESSURE:58psi/4.0kg/cm²

OPTIONAL: MAXIMUM WORKING PRESSURE: 58psi/4.0kg/cm² (WL-ADG800-1400)

MAXIMUM OPERATING WATER TEMPERATURE≤50°C

MAXIMUM TESTING PRESSURE:86psi/6.0kg/cm²

Алматы (7273)495-231
 Ангарск (3955)60-70-56
 Архангельск (8182)63-90-72
 Астрахань (8512)99-46-04
 Барнаул (3852)73-04-60
 Белгород (4722)40-23-64
 Благовещенск (4162)22-76-07
 Брянск (4832)59-03-52
 Владивосток (423)249-28-31
 Владикавказ (8672)28-90-48
 Владимир (4922)49-43-18
 Волгоград (844)278-03-48
 Вологда (8172)26-41-59
 Воронеж (473)204-51-73
 Екатеринбург (343)384-55-89

Иваново (4932)77-34-06
 Ижевск (3412)26-03-58
 Иркутск (395)279-98-46
 Казань (843)206-01-48
 Калининград (4012)72-03-81
 Калуга (4842)92-23-67
 Кемерово (3842)65-04-62
 Киров (8332)68-02-04
 Коломна (4966)23-41-49
 Кострома (4942)77-07-48
 Краснодар (861)203-40-90
 Красноярск (391)204-63-61
 Курск (4712)77-13-04
 Курган (3522)50-90-47
 Липецк (4742)52-20-81

Магнитогорск (3519)55-03-13
 Москва (495)268-04-70
 Мурманск (8152)59-64-93
 Набережные Челны (8552)20-53-41
 Нижний Новгород (831)429-08-12
 Новокузнецк (3843)20-46-81
 Ноябрьск (3496)41-32-12
 Новосибирск (383)227-86-73
 Омск (3812)21-46-40
 Орел (4862)44-53-42
 Оренбург (3532)37-68-04
 Пенза (8412)22-31-16
 Петрозаводск (8142)55-98-37
 Псков (8112)59-10-37
 Пермь (342)205-81-47

Ростов-на-Дону (863)308-18-15
 Рязань (4912)46-61-64
 Самара (846)206-03-16
 Санкт-Петербург (812)309-46-40
 Саратов (845)249-38-78
 Севастополь (8692)22-31-93
 Саранск (8342)22-96-24
 Симферополь (3652)67-13-56
 Смоленск (4812)29-41-54
 Сочи (862)225-72-31
 Ставрополь (8652)20-65-13
 Сургут (3462)77-98-35
 Сыктывкар (8212)25-95-17
 Тамбов (4752)50-40-97
 Тверь (4822)63-31-35

Тольятти (8482)63-91-07
 Томск (3822)98-41-53
 Тула (4872)33-79-87
 Тюмень (3452)66-21-18
 Ульяновск (8422)24-23-59
 Улан-Удэ (3012)59-97-51
 Уфа (347)229-48-12
 Хабаровск (4212)92-98-04
 Чебоксары (8352)28-53-07
 Челябинск (351)202-03-61
 Череповец (8202)49-02-64
 Чита (3022)38-34-83
 Якутск (4112)23-90-97
 Ярославль (4852)69-52-93

Россия +7(495)268-04-70

Казахстан +7(7172)727-132

Киргизия +996(312)96-26-47

<https://laswim.nt-rt.ru> || aiw@nt-rt.ru