

Алматы (7273)495-231
Ангарск (3955)60-70-56
Архангельск (8182)63-90-72
Астрахань (8512)99-46-04
Барнаул (3852)73-04-60
Белгород (4722)40-23-64
Благовещенск (4162)22-76-07
Брянск (4832)59-03-52
Владивосток (423)249-28-31
Владикавказ (8672)28-90-48
Владимир (4922)49-43-18
Волгоград (844)278-03-48
Вологда (8172)26-41-59
Воронеж (473)204-51-73
Екатеринбург (343)384-55-89

Иваново (4932)77-34-06
Ижевск (3412)26-03-58
Иркутск (395)279-98-46
Казань (843)206-01-48
Калининград (4012)72-03-81
Калуга (4842)92-23-67
Кемерово (3842)65-04-62
Киров (8332)68-02-04
Коломна (4966)23-41-49
Кострома (4942)77-07-48
Краснодар (861)203-40-90
Красноярск (391)204-63-61
Курск (4712)77-13-04
Курган (3522)50-90-47
Липецк (4742)52-20-81

Магнитогорск (3519)55-03-13
Москва (495)268-04-70
Мурманск (8152)59-64-93
Набережные Челны (8552)20-53-41
Нижний Новгород (831)429-08-12
Новокузнецк (3843)20-46-81
Ноябрьск (3496)41-32-12
Новосибирск (383)227-86-73
Омск (3812)21-46-40
Орел (4862)44-53-42
Оренбург (3532)37-68-04
Пенза (8412)22-31-16
Петрозаводск (8142)55-98-37
Псков (8112)59-10-37
Пермь (342)205-81-47

Ростов-на-Дону (863)308-18-15
Рязань (4912)46-61-64
Самара (846)206-03-16
Санкт-Петербург (812)309-46-40
Саратов (845)249-38-78
Севастополь (8692)22-31-93
Саранск (8342)22-96-24
Симферополь (3652)67-13-56
Смоленск (4812)29-41-54
Сочи (862)225-72-31
Ставрополь (8652)20-65-13
Сургут (3462)77-98-35
Сыктывкар (8212)25-95-17
Тамбов (4752)50-40-97
Тверь (4822)63-31-35

Тольятти (8482)63-91-07
Томск (3822)98-41-53
Тула (4872)33-79-87
Тюмень (3452)66-21-18
Ульяновск (8422)24-23-59
Улан-Удэ (3012)59-97-51
Уфа (347)229-48-12
Хабаровск (4212)92-98-04
Чебоксары (8352)28-53-07
Челябинск (351)202-03-61
Череповец (8202)49-02-64
Чита (3022)38-34-83
Якутск (4112)23-90-97
Ярославль (4852)69-52-93

Россия +7(495)268-04-70

Казахстан +7(7172)727-132

Киргизия +996(312)96-26-47

<https://laswim.nt-rt.ru> || aiw@nt-rt.ru

Plastic Sand Filter

SCG/ SDG Series Sand Filter



Made of high density poly ethylene material and integration of blow molding technology. HDPE filter tank is compatible for many different water condition. Unique structural design gets the best clarity of filtered water and a better backwash.

Made of high density poly ethylene material and integration of blow molding technology. HDPE filter tank is compatible for many different weather condition. Unique structural design gets the best clarity of filtered water and a better backwash.

Made of high density poly ethylene material and integration of blow molding technology. HDPE filter tank is compatible for many different weather condition. Unique structural design gets the best clarity of filtered water and a better backwash.

Advantages

1. More efficient: 30% more of filtration bed improves the filtration quality easily.
2. Environmental, safe & corrosive-proof material: suitable to all types of swimming pools.
3. Easy maintenance: no tools is required for maintenance or operation.

Features

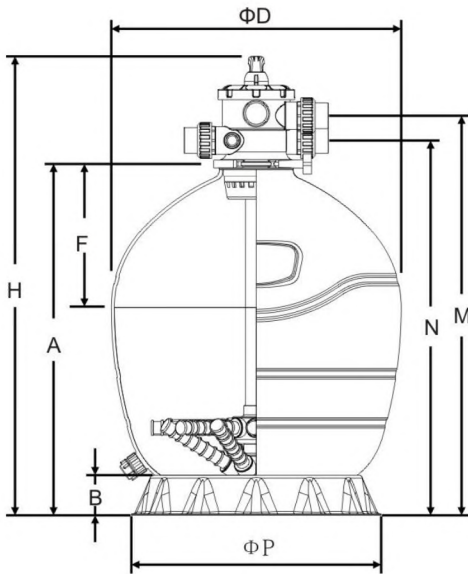
1. Suitable for pools with different disinfection systems such as salt chlorinator, UV sterilizer, Ozone system and chemical dosing.
2. Can be used for pool, spa and water features
3. Easy to maintain and replace

Pool in need of better water clarity
professional approach of getting better water

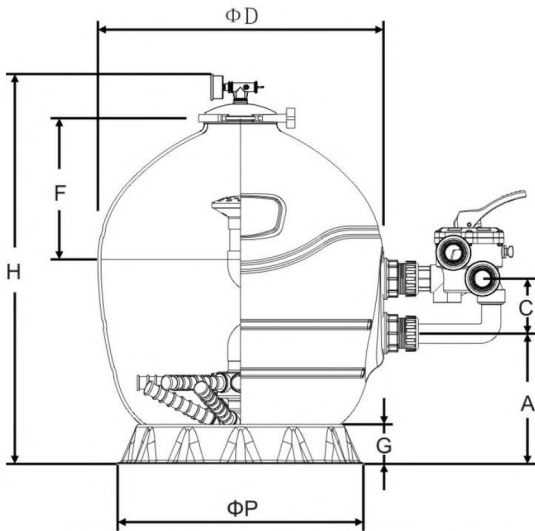
- Inlet/outlet can meet with metric/imperial pipe, more convenient to operate

- SS clamp allows 360 rotation of valve to simplify installation
- More volume of filtration bed gets better clarity of filtered water & less backwash
- High density poly ethylene filter tank material manufactured to maximize the strength of the filter
- Unique double-layered lateral enhances filtration efficiency and allows complete backwash

Product Parameters



	SDG-17	SDG-20	SDG-24	SDG-26
ΦD(mm)	425	500	600	650
H(mm)	767	890	983	1028
B(mm)	75	75	75	90
A(mm)	526	650	743	787
ΦP(mm)	390	390	390	560
N(mm)	579	702	795	839
M(mm)	635	758	850	895
F(mm)	195	236	285	319



	SCG-20	SCG-24	SCG-26
ΦD(mm)	500	600	650
H(mm)	736	830	887
A(mm)	241	310	296
ΦP(mm)	390	390	560
C(mm)	125	125	125
G(mm)	75	75	90
F(mm)	236	285	319

Model	Pipe Size		Filter Area (m ²)	Design Flow		0.5-0.8mm Sand Weight (kg)	Tank Volume (m ³)	Valve Volume (m ³)	Tank Weight (kg)	Valve Weight (kg)
	inches	mm		m ³ /h	lpm					
SDG-17	1.5	50	0.14	7.0	117	50	0.11	0.02	9.8	3
SDG-20	1.5	50	0.19	9.5	158	90	0.16	0.02	12.3	3
SDG-24	1.5	50	0.27	13.5	225	140	0.26	0.02	15.2	3
SDG-26	1.5	50	0.32	16.0	267	170	0.34	0.02	18	3

Note: The model SDG-17 is with one layer lateral.

Model	Pipe Size		Filter Area (m ²)	Design Flow		0.5-0.8mm Sand Weight (kg)	Tank Volume (m ³)	Valve Volume (m ³)	Tank Weight (kg)	Valve Weight (kg)
	inches	mm		m ³ /h	lpm					
SCG-20	1.5	50	0.19	9.5	158	90	0.16	0.02	13.3	3
SCG-24	1.5	50	0.27	13.5	225	140	0.26	0.02	16.2	3
SCG-26	1.5	50	0.32	16.0	267	170	0.34	0.02	19	3

MAXIMUM WORKING PRESSURE:40psi/2.8kg/cm²

MAXIMUM TEMPERATURE≤50 °C

P-DG Series Filter



LASWIM plastic sand filters are using the latest pool filter technology and molded of tough, durable, environmental plastic material. These filters are corrosion-proof, user-friendly and have longer life time.

Features

- Made of high density polyethylene material, corrosion-proof, safe and environmental
- Unitized thermal plastic filter tank, tough, durable and suitable for many different weather condition.
- Easy-to-use multiport valve lets you select any of the valve/filter operation with a simple lever-action.
- Clamp lock is designed to allow 360 degree rotation to simplify installation.
- Compact and save space.
- These sand filters are applicable in all types of pool, SPA, fountain and aquarium.

Main parts

Easy-to-use six -position valve makes the selection of the valve/filter simple.

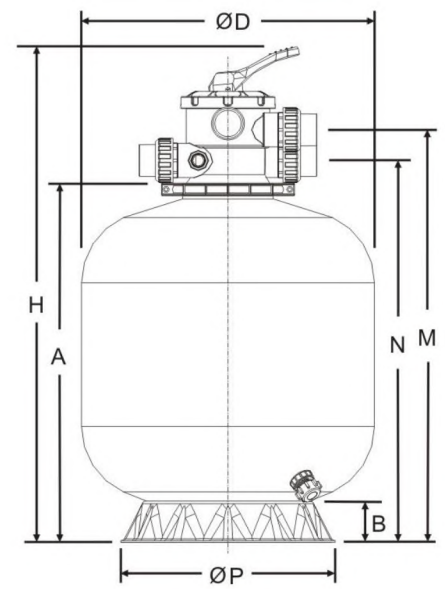
- *Filter(Normal filtration and vacuuming).
- *Backwash(Clean filter by reversing the flow).
- *Rinse(Used after backwash to flush dirt from valve).
- *Waste(By-passes filter ,used for vacuuming to wash or lowering water level).
- *Recirculate(By-passes filter for circulating water to pool).

Unitized and durable tank.

Special drainage design, to easy draining of the tank, easy to maintain and ice-free in winter.

Product Parameters

φD(mm)	350	410	450	535	635	710
H(mm)	750	770	830	870	970	1040
B(mm)	75	75	75	75	95	95
A(mm)	490	510	570	610	710	780
φP(mm)	319	319	390	390	565	565
N(mm)	545	565	625	665	765	835
M(mm)	600	620	680	720	820	890



Model	Pipe Size		Filter Area (m ²)	Design Flow		0.5-0.8mm Sand Weight (kg)	Tank Volume (m ³)	Valve Volume (m ³)	Tank Weight (kg)	Valve Weight (kg)
	inches	mm		m ³ /h	lpm					
P-DG350	1.5	50	0.10	4.50	75	25	0.06	0.02	4.0	3
P-DG400	1.5	50	0.13	6.50	108	34	0.09	0.02	5.0	3
P-DG450	1.5	50	0.16	8.00	133	50	0.15	0.02	6.5	3
P-DG500	1.5	50	0.23	11.50	192	80	0.20	0.02	9.2	3
P-DG650	1.5	50	0.32	16.00	267	160	0.32	0.02	12.1	3
P-DG700	1.5	50	0.40	20.00	333	220	0.42	0.02	17.0	3

MAXIMUM WORKING PRESSURE: 36psi/2.5kg/cm²(PLASTIC CLAMP)

MAXIMUM WORKING WATER TEMPERATURE ≤50°C

P-CG Series Filters



LASWIM plastic sand filters are using the latest pool filter technology and molded of tough, durable, environmental plastic material. These filters are corrosion-proof, user-friendly and have longer life time.

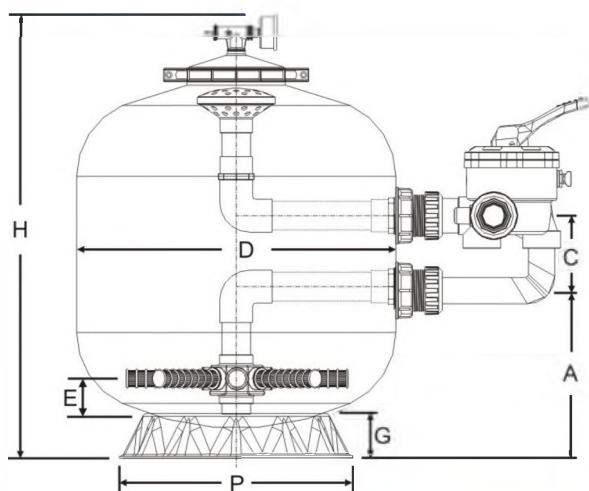
Features

- Made of high density polyethylene material, corrosive-proof, safe and environmental
- Unitized thermal plastic filter tank, tough, durable and suitable for many different weather condition.
- Easy-to-use multiport valve lets you select any of the valve/filter operation with a simple lever-action.
- Compact and save space.
- Top diffuser ensures even distribution of water over the top of the sand bed.
- These sand filters are applicable in all types of pool, SPA, fountain and aquarium.

Main parts

1. Easy-to-use six-position valve makes the selection of the valve /filter simple.
 - *FILTER(Normal filtration and vacuuming).
 - *BACKWASH(Clean filter by reversing the flow).
 - *RINSE(Used after backwash to flush dirt from valve).
 - *WASTE(By-passes filter, used for vacuuming to waste or lowering water level).
 - RECIRCULATING(By-passes filter for circulation water to pool).
 - *CLOSE.
2. Unitized and durable tank.
3. Special drainage, to easy draining of the tank, easy to maintain and ice-free in winter
4. Pressure gauge makes it easier to examine and maintain.
5. Air relief bolt enables easy release of trapped air during operation of the filter.

Product Parameters



φ D(mm)	450	535	635	710
H(mm)	670	710	810	880
A(mm)	260	290	310	360
φ P(mm)	390	390	565	565
C(mm)	125	125	125	125
G(mm)	75	75	95	90
E(mm)	90	90	90	95

Model	Pipe Size		Filter Area (m ²)	Design Flow		0.5-0.8mm Sand Weight (kg)	Tank Volume (m ³)	Valve Volume (m ³)	Tank Weight (kg)	Valve Weight (kg)
	inches	mm		m ³ /h	lpm					
P-CG450	1.5	50	0.16	8.00	133	50	0.15	0.02	7.0	3
P-CG500	1.5	50	0.23	11.50	192	80	0.20	0.02	10.2	3
P-CG650	1.5	50	0.32	16.00	267	160	0.32	0.02	13.1	3
P-CG700	1.5	50	0.40	20.00	333	220	0.42	0.02	18.0	3

MAXIMUM WORKING PRESSURE: 36psi/2.5kg/cm²(PLASTIC CLAMP)

MAXIMUM OPERATING WATER TEMPERATURE ≤50°C

Алматы (7273)496-231
 Ангарск (3955)60-70-56
 Архангельск (8182)63-90-72
 Астрахань (8512)99-46-04
 Барнаул (3852)73-04-60
 Белгород (4722)40-23-64
 Благоевщенск (4162)22-76-07
 Брянск (4832)59-03-52
 Владивосток (423)249-28-31
 Владикавказ (8672)28-90-48
 Владимир (4922)49-43-18
 Волгоград (844)278-03-48
 Вологда (8172)26-41-59
 Воронеж (473)204-51-73
 Екатеринбург (343)384-55-89

Иваново (4932)77-34-06
 Ижевск (3412)26-03-58
 Иркутск (395)279-98-46
 Казань (843)206-01-48
 Калининград (4012)72-03-81
 Калуга (4842)92-23-67
 Кемерово (3842)65-04-62
 Киров (8332)68-02-04
 Коломна (4966)23-41-49
 Кострома (4942)77-07-48
 Краснодар (861)203-40-90
 Красноярск (391)204-63-61
 Курск (4712)77-13-04
 Курган (3522)50-90-47
 Липецк (4742)52-20-81

Магнитогорск (3519)55-03-13
 Москва (495)268-04-70
 Мурманск (8152)59-64-93
 Набережные Челны (8552)20-53-41
 Нижний Новгород (831)429-08-12
 Новокузнецк (3843)20-46-81
 Ноябрьск (3496)41-32-12
 Новосибирск (383)227-86-73
 Омск (3812)21-46-40
 Орел (4862)44-53-42
 Оренбург (3532)37-68-04
 Пенза (8412)22-31-16
 Петрозаводск (8142)55-98-37
 Псков (8112)59-10-37
 Пермь (342)205-81-47

Ростов-на-Дону (863)308-18-15
 Рязань (4912)46-61-64
 Самара (846)206-03-16
 Санкт-Петербург (812)309-46-40
 Саратов (845)249-38-78
 Севастополь (8692)22-31-93
 Саранск (8342)22-96-24
 Симферополь (3652)67-13-56
 Смоленск (4812)29-41-54
 Сочи (862)225-72-31
 Ставрополь (8652)20-65-13
 Сургут (3462)77-98-35
 Сыктывкар (8212)25-95-17
 Тамбов (4752)50-40-97
 Тверь (4822)63-31-35

Тольятти (8482)63-91-07
 Томск (3822)98-41-53
 Тула (4872)33-79-87
 Тюмень (3452)66-21-18
 Ульяновск (8422)24-23-59
 Улан-Удэ (3012)59-97-51
 Уфа (347)229-48-12
 Хабаровск (4212)92-98-04
 Чебоксары (8352)28-53-07
 Челябинск (351)202-03-61
 Череповец (8202)49-02-64
 Чита (3022)38-34-83
 Якутск (4112)23-90-97
 Ярославль (4852)69-52-93

Россия +7(495)268-04-70

Казахстан +7(7172)727-132

Киргизия +996(312)96-26-47

<https://laswim.nt-rt.ru> || aiw@nt-rt.ru